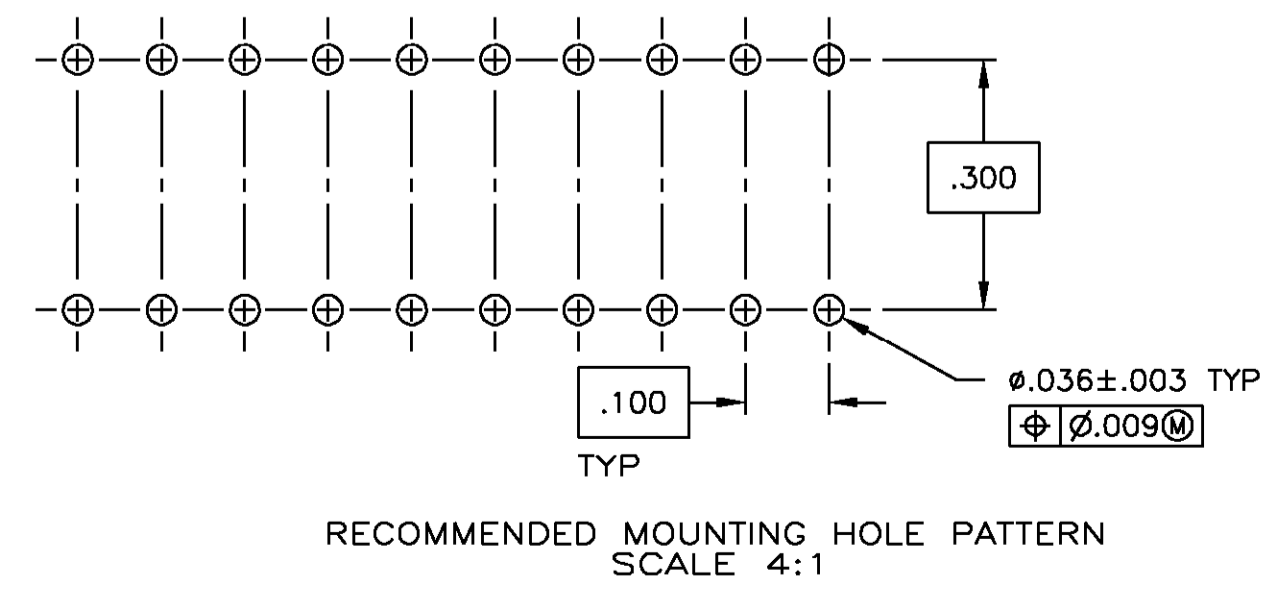
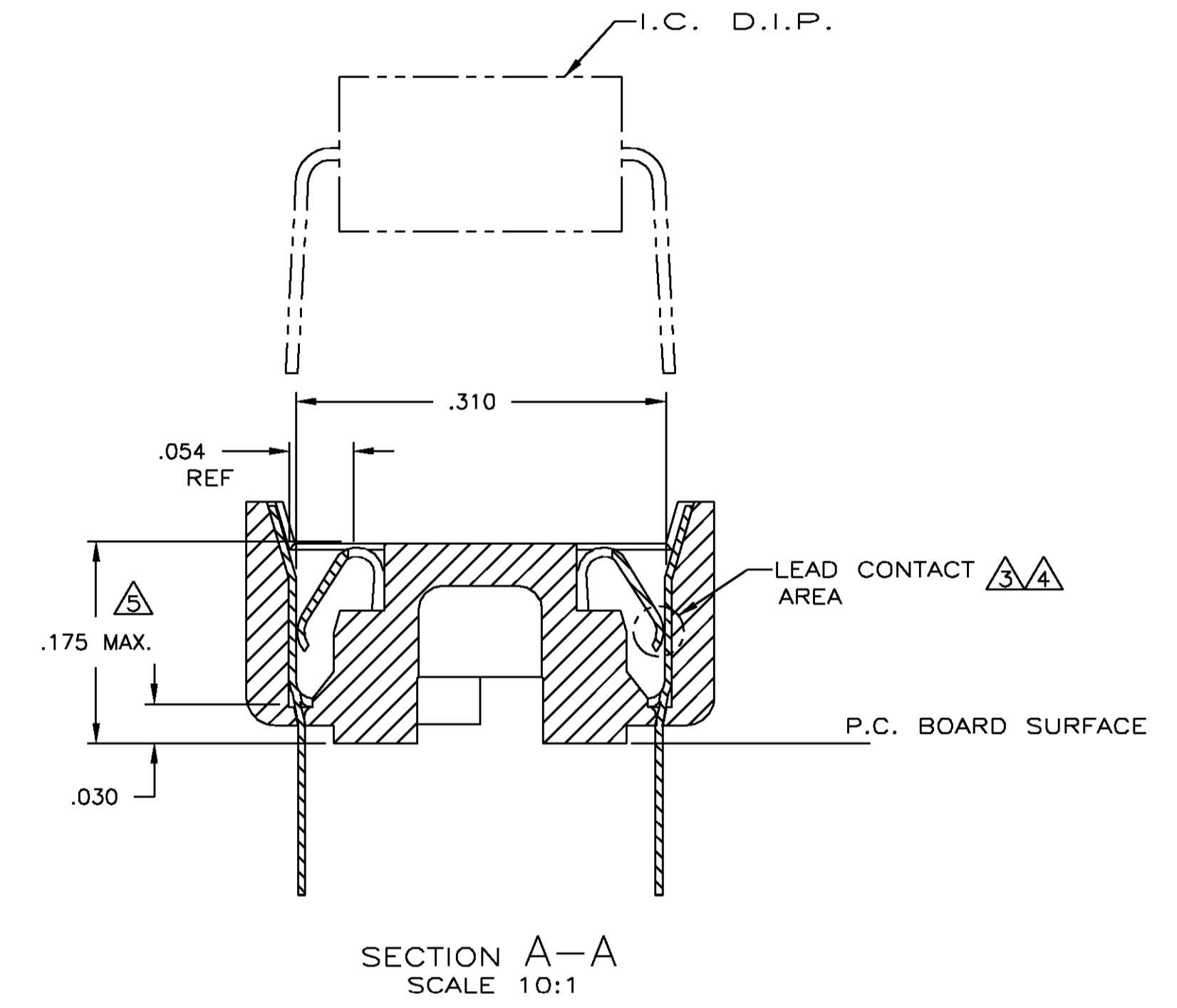
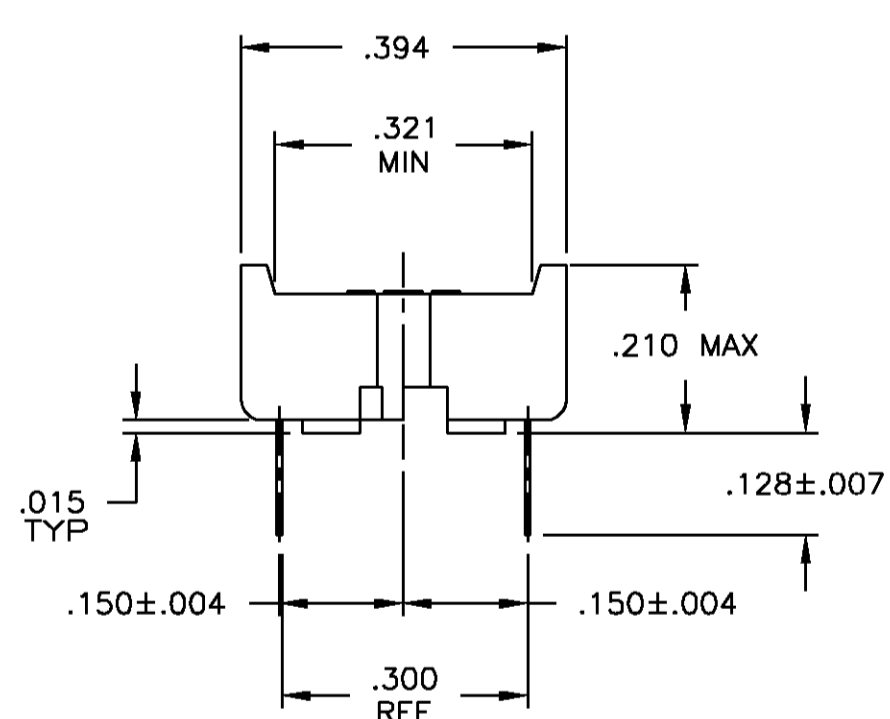
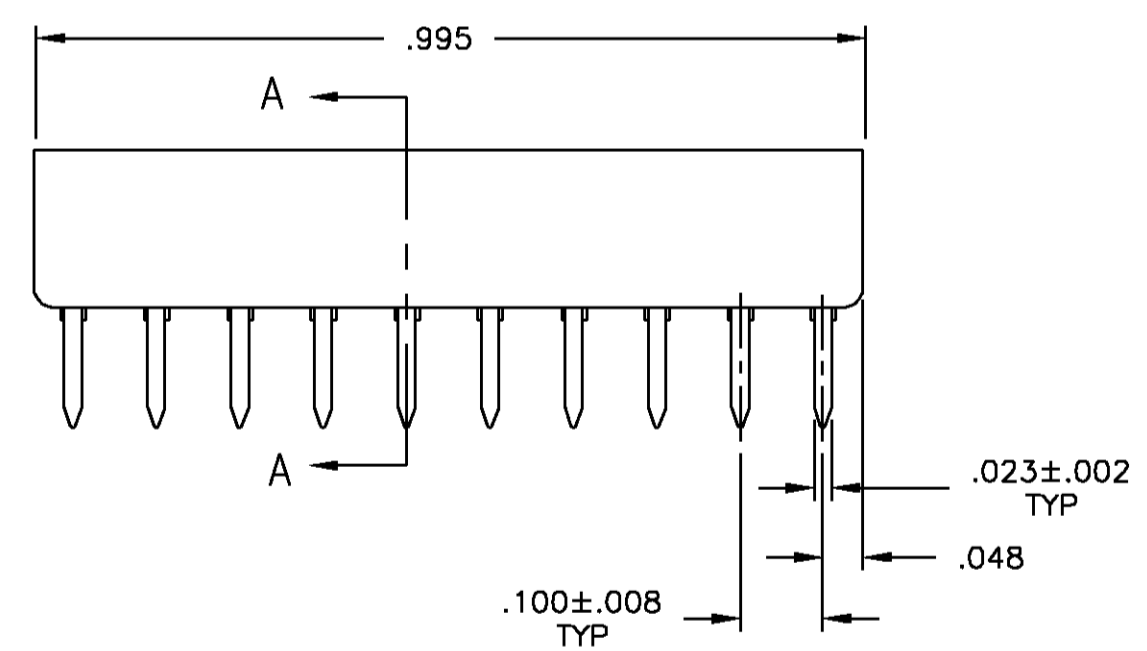
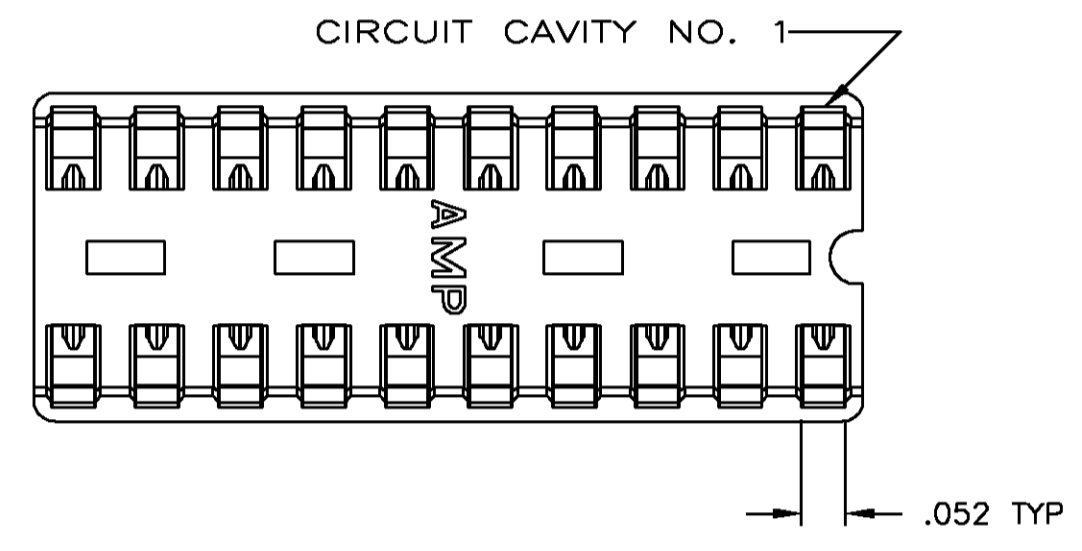


- RECEPTACLE ACCEPTS A .008-.014 THICK I.C. LEAD.
- TUBE LOADED FOR AUTOMATIC INSERTION.
- TWO .000030 MIN THK. GOLD STRIPES IN CONTACT AREA WITH TIN-LEAD (93/7) ON CONTACT LEGS, BALANCE OF CONTACT NICKEL PLATED.
- TWO .000015 MIN THK. GOLD STRIPES IN CONTACT AREA WITH TIN-LEAD (93/7) ON CONTACT LEGS, BALANCE OF CONTACT NICKEL PLATED.
- MAXIMUM DIMENSION FOR I.C. SEATING PLANE.



SUPSD BY 390261-6	TINNED	PHOS.BRZ. .006 THK	GLASS-FILLED THERMOPLASTIC, 94V-0, BLACK	2-640464-4
SUPSD BY 390261-6	TINNED	BE.CU. .006 THK	GLASS-FILLED THERMOPLASTIC, 94V-0, BLACK	2-640464-2
SUPSD BY 390261-6	TINNED	BE.CU. .006 THK	GLASS-FILLED THERMOPLASTIC, 94V-0, BLACK	2-640464-1

CONTACT FINISH		CONTACT MAT'L		HOUSING MATERIAL		PART NO.	
PHOS.BRZ. .006 THK		GLASS-FILLED THERMOPLASTIC, 94V-0, BLACK		2-640464-4		2-640464-4	
TINNED		PHOS.BRZ. .006 THK		GLASS-FILLED THERMOPLASTIC, 94V-0, BLACK		2-640464-3	
TINNED		BE.CU. .006 THK		GLASS-FILLED THERMOPLASTIC, 94V-0, BLACK		2-640464-2	
TINNED		BE.CU. .006 THK		GLASS-FILLED THERMOPLASTIC, 94V-0, BLACK		2-640464-1	

DIMENSIONS:		TOLERANCES UNLESS OTHERWISE SPECIFIED:		DRAWN		DATE	
INCHES		0 PL ± .005		M. CYRUS		2-20-87	
1 PL ± .005		1 PL ± .005		R. MILLER		2-20-87	
2 PL ± .005		2 PL ± .005		J. LAMBERT		2-20-87	
3 PL ± .005		3 PL ± .005		NAME		AMP	
4 PL ± .005		4 PL ± .005		PRODUCT SPEC		Tyco Electronics Corporation	
ANGLES ± .005		ANGLES ± .005		APPLICATION SPEC		Harrisburg, PA 17105	
MATERIAL		FINISH		SIZE		DRAWING NO	
SEE TABLE		SEE TABLE		A1		00779	
CUSTOMER DRAWING		SCALE		SHEET		REV	
CUSTOMER DRAWING		5:1		1 OF 1		Y	